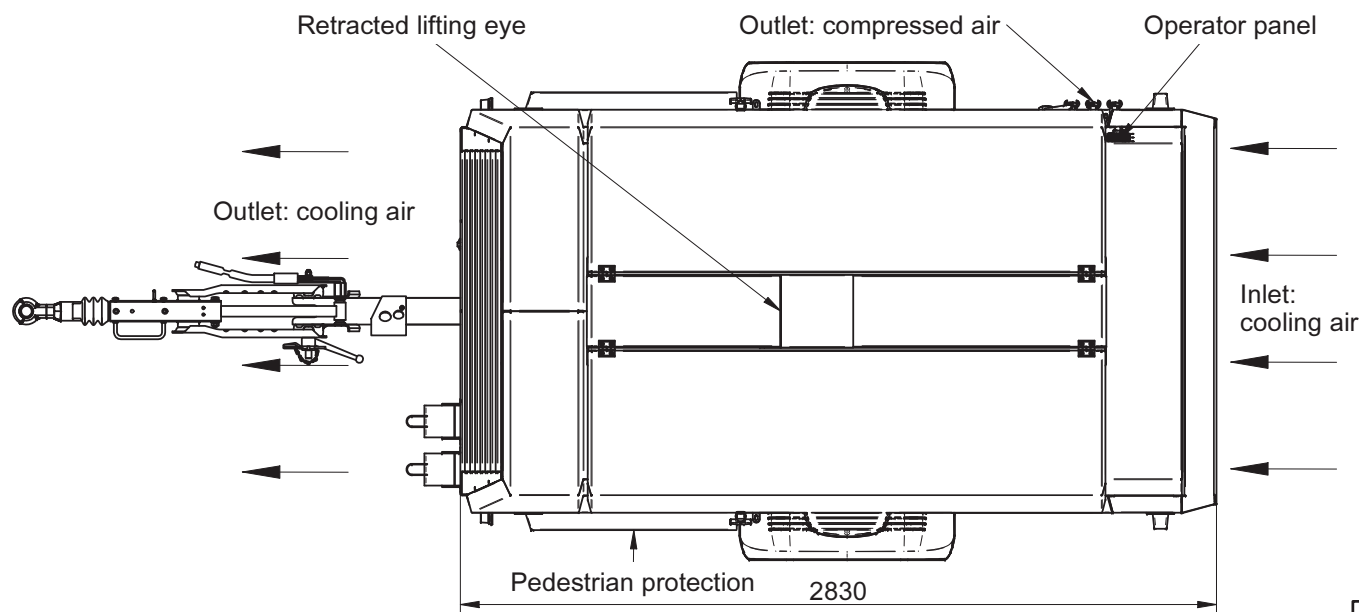
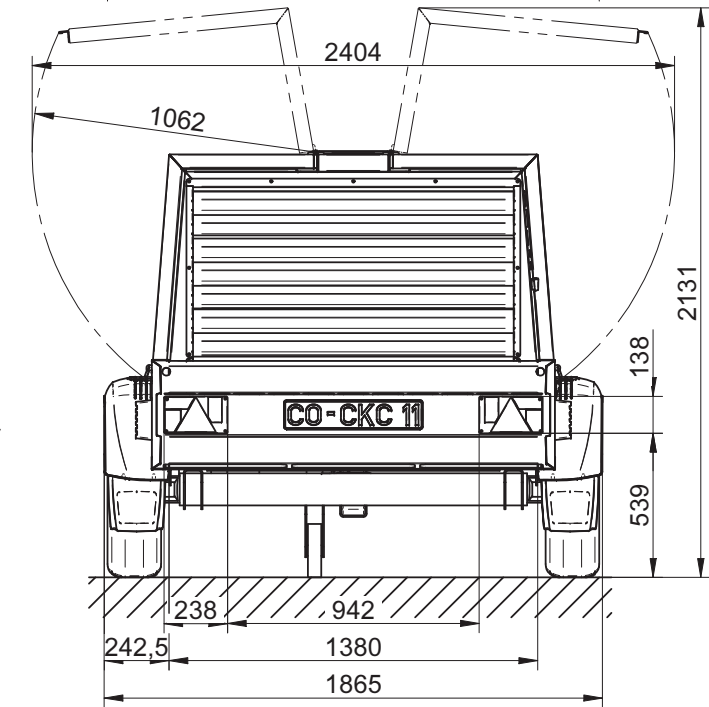
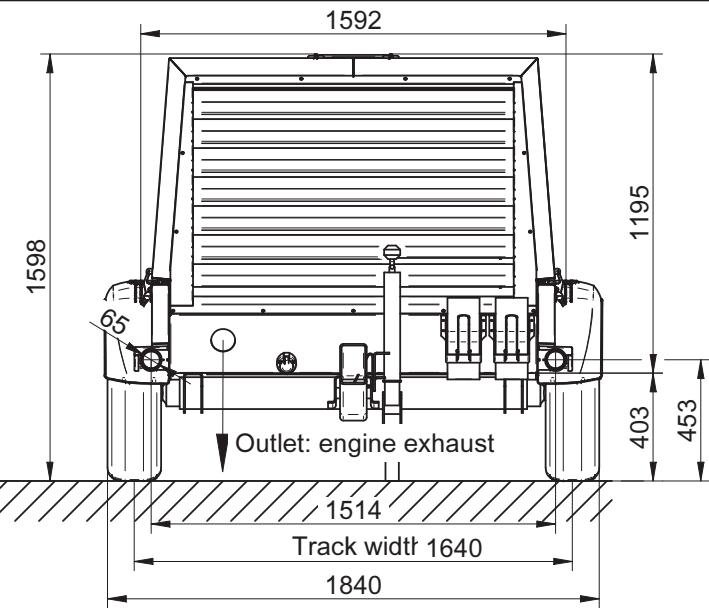
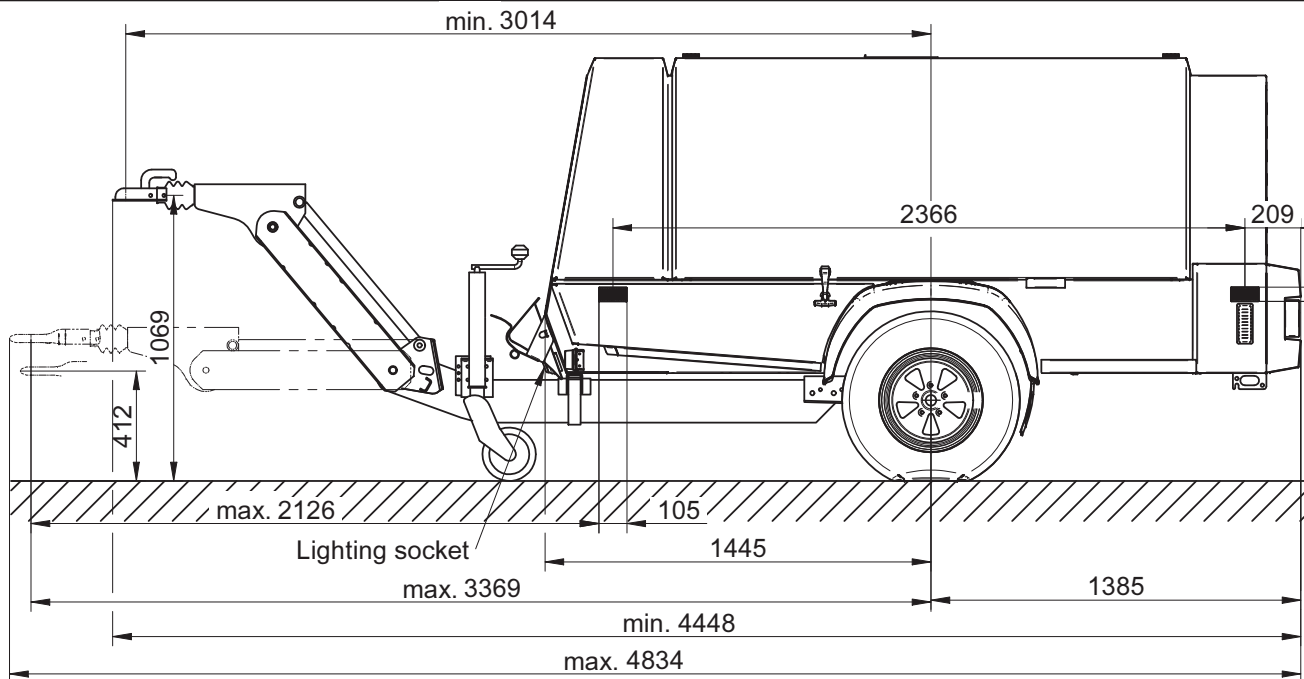


Subject to development-related changes.
Drawing may be altered only via CAD.



Area covered by the portable compressor (without chassis): 4.27 m²

rk	Low axle load
rm	With height adjustment
rs	With overrun brake
rb	EU chassis

Change number	Projection	Scale	Date	Name	KAESER KOMPRESSOREN	
34752		1:20	Drawn 14.08.2014	LERNER1	Language	Sheet
Document TZM	Original	Edited	25.08.2014	LERNER1	E	1/1
10227575 E 01	A3	Released	25.08.2014	SAKOWSKI1		
Document TZD	Designation					
10227575 D 01	M 114/122/123.1 1900 rb rk rm rs					
Status	Dimension and connection dim.					
Released						

Drawings remain our exclusive property. They are intended only for the agreed purpose. Copies or any other reproduction, including storage, treatment and distribution by use of electronic systems is not allowed for any other than the agreed upon purpose. Neither originals nor reproductions may be given to or made available to third parties.

Stand 17_10.2013