

# Model 1500SJ

## TELESCOPIC BOOM LIFTS



### MORE ECONOMIC

- Lower hydrocarbon, carbon monoxide, particulate and NOx emissions with Stage IIIB-compliant engine.

### MORE PRODUCTIVE

- 40% gradeability for improved go-anywhere mobility around jobsites.

### MORE ACCESS

- Dual capacity and class-leading reach in every direction.

### SMART DESIGN

- Fewer buttons and switches used to position the platform and less time spent learning to use the platform controls.



### Standard Features

- 0.91 m x 2.44 m low mount platform
- Side entry with drop bar mid rail
- Multiple function operation
- Full proportional drive joystick control with integral thumb steer switch
- Full proportional main boom and swing joystick control
- Multiple speed control for telescope and platform rotate
- 2.44 m articulating jib
- 4.6 m to 7.6 m Telescoping jib
- Powered side stow on jib
- 180 degree powered platform rotator
- Platform console machine status light panel <sup>1</sup>
- Load sensing system
- AC cable to platform
- Gull-wing hoods
- Swing-out engine tray
- Spark arresting type muffler
- Control ADE<sup>®</sup> (Advanced Design Electronics) System
- Hydrostatic drive transmission
- Four wheel drive
- Four wheel steer/two wheel steer/crab steer
- Horn
- Selectable dual platform capacity system (230kg/450kg)
- Drive-out extending axles
- 4 degree tilt alarm and indicator light
- Oscillating front axle
- Lifting/tie down lugs
- Hour meter
- Ground control selector switch with key lock
- Load sensing hydraulics
- Platform tool tray
- 12V DC auxiliary power
- Engine distress warning/shut down system <sup>2</sup>
- Selectable creep speed on drive / lift and swing functions
- JLG Skyguard active system

<sup>1</sup> Provides indicator lights at platform control console for system distress, low fuel, 5 degree tilt light, and foot switch status.

### Standard Specifications

Power Source	
• Diesel Engine - Deutz TCD2.9 L4	55.4 kW
• Fuel Tank Capacity	117 L
Hydraulic System	
• Hydraulic System	250 L
• Auxiliary Power	12V DC
Tyres	
• Tyres	445/50D710 Foam Filled

<sup>2</sup> Low oil pressure and high coolant temperature alarms with shut-down enabled/disabled by analyser.

<sup>3</sup> Available when integrated with the SkyPower<sup>®</sup> package.

<sup>4</sup> Consists of six 40-watt lights, four turntable mounted lights and two platform mounted lights.

<sup>5</sup> Includes all-motion alarm and flashing amber beacon.

<sup>6</sup> Includes platform mounted work lights and head & tail lights.

<sup>7</sup> Includes console cover, boom wipers and cylinder bellows.

### Accessories & Options

- 0.91 m x 1.83 m slide bar side entry platform
- 0.91 m x 1.83 m Self closing inward swing gate
- 13 mm air line to platform
- SkyPower<sup>®</sup> package 7,500 watt on-board generator
- SkyWelder<sup>®</sup> package 250 amp welder in the platform <sup>3</sup>
- SkyGlazier<sup>®</sup> package glass and panel tray
- Nite-Bright<sup>®</sup> package <sup>4</sup>
- All motion alarm
- Light package <sup>6</sup>
- Flashing amber beacon
- Euro Plug & Socket
- Hostile environment kit <sup>7</sup>
- Hydraulic oil cooler
- Spark Arrester Muffler
- Soft Touch 0.91 m x 1.83 m Platform Proximity System
- Soft Touch 0.91 m x 2.44 m Platform Proximity System
- Skyguard beacon (ILOS)
- Pipe racks
- Arctic package
- On-board 4000W generator
- Generator hourmeter
- Synthetic Biodegradable Hydraulic Oil
- Platform worklights
- Head & Tail Lights
- Special paint colour
- 445/65-24 Solid Tyres

# Model 1500SJ

## TELESCOPIC BOOM LIFTS

### Performance

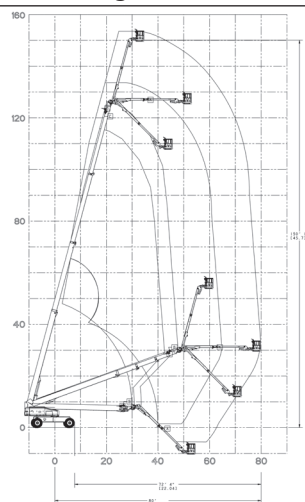
- Working Height 47.72 m
- Working Outreach 25.03 m
- Swing (Continuous) 360°
- Platform Capacity
  - Restricted 450 kg
  - Unrestricted 230 kg
- Platform Rotator (Hydraulic) 180°
- Jib – Telescope : retracted 4.62 m
- Jib – Telescope : extended 7.62 m
- Jib – Range of articulation 120° Vertical (+75°/-45°)
  - A. Platform Size 0.91 m x 2.44 m
  - B<sup>1</sup>. Overall Width (Axles Retracted) 2.49 m
  - B<sup>2</sup>. Overall Width (Axles Extended) 3.81 m
  - C. Tailswing (working condition) 1.68 m
  - D. Stowed Height 3.05 m
  - E<sup>1</sup>. Stowed Length 18.82 m
  - E<sup>2</sup>. Transport length 13.11 m
  - F. Wheelbase 3.81 m
  - G. Ground Clearance 0.30 m
- Machine weight <sup>1/2</sup> 22,000 kg
- Maximum Ground Bearing Pressure <sup>2</sup> 7.95 kg/cm<sup>2</sup>
- Drive Speed 4.8 km/h
- Gradeability 40%
- Axle Oscillation 0.30 m
- Turning Radius – Inside (Axles Retracted) 4.39 m
- Turning Radius – Outside (Axles Retracted) 6.86 m

<sup>1</sup> Certain options or country standards may increase weight and/or dimensions.

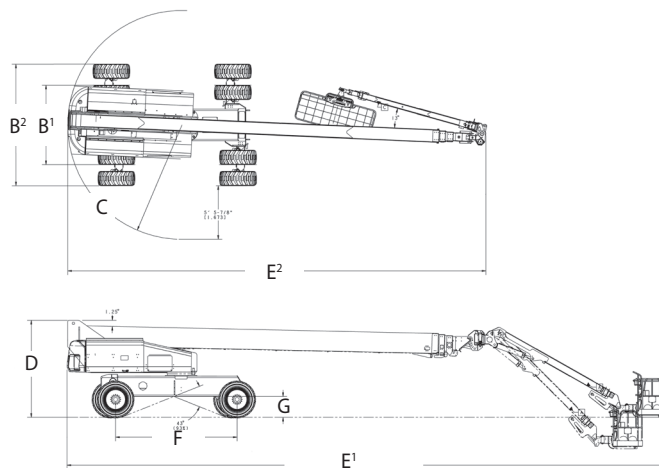
<sup>2</sup> With Standard tires



### Reach Diagram



### Dimensions



### IMPORTANT

JLG is continually researching and developing products and reserves the right to make modifications without prior notice. All data in this document is indicative. Certain options or country standards will increase weight. Specifications may change to meet country standards or with the addition of optional equipment.

Due to continuous product improvements, JLG Industries reserves the right to make specification and/or equipment changes without prior notification.



### JLG EMEA BV

Polaris Avenue 63  
2132 JH Hoofddorp  
The Netherlands  
Tel: +31 (0)23 565 5665  
Fax: +31 (0)23 557 3750  
[www.jlg.com](http://www.jlg.com)

An Oshkosh Corporation Company