

Model X14J COMPACT CRAWLERS



MORE ECONOMIC

- Minimal emissions and noise pollution.

MORE PRODUCTIVE

- Reduce your set-up time with auto-levelling outriggers.

MORE ACCESS

- Equipped with track drive for easy manoeuvrability in sensitive environments.

SMART DESIGN

- Low weight for ease of transportation and operation in weight restricted areas.



Standard Features

- 0.69 m x 1.34 m Aluminium 2 person platform
- Slide bar rear entry
- Footswitch
- Full proportional control
- Articulating jib
- Remote Control (via cable to platform)
- Multi-lingual LCD display on platform console
- Platform console position sensor and lock
- Envelope management load sensing system
- Platform designed for ease of removal/changeover
- AC Cable to platform
- 6,5 mm (1/4 ") air/water line to platform
- Engine protection
- Automatic Stabilization
- Rubber Outrigger Pads
- Cylinder Rod Protection on Outriggers
- Automatic cut-out when out of level
- 360° non continuous rotation
- Turntable alignment sensor and gauge
- Three emergency descent systems
- Electro-hydraulic controls
- Lifting/Tie down points

Standard Specifications

- | | |
|-------------------------------|--|
| Power Source | |
| • AC electric motor | 230V, 50Hz, 2.2kW |
| • Honda GX270 | 6.3 kw Petrol |
| • Hydraulic oil tank capacity | 25 L |
| Tracks | |
| • Standard | 1.24 m x 0.18 m x 0.30 m
Low Profile Non Mark Rubber Tracks |

Accessories & Options

- 0.59 m x 0.79 m Aluminium 1 person platform
- Honda GX390 - 9.6 kW (13HP) Gasoline Engine
- Hatz IB30 - 5.4 kW (7.5HP) Diesel Engine
- 110V, 50Hz single phase power system
- 100Ah/ 48V Electric engine with Lithium battery package incl. battery charger ¹
- 1.24 m x 0.18 m x 0.30 m High Profile Black Rubber Tracks
- 2nd drive speed
- Special paint colour

¹ Replaces both combustion and electric engines.

Model X14J

COMPACT CRAWLERS

Performance

• Working Height*	13.80 m
• Horizontal Working Outreach*	6.76 m
• Platform capacity - unrestricted	1 / 120 kg
• Platform capacity - restricted	2 / 200 kg
• Up & Over Height*	5.58 m
• Swing (non continuous)	360°
• Jib - overall length	1.56 m
• Jib - range of articulation (+/-)	83° (+0° / -83°)
• Platform size (standard 2 persons)	0.69 m x 1.34 m
• Stowed width (with std. 2P platform)	1.34 m
• Dimensions:	
A. Stowed width (without platform) ¹	0.79 m
B. Stowed height (on tracks) ¹	2.07 m
C. Stowed length (on tracks)	4.02 m
D. Outrigger footprint	2.87 m x 2.91 m
• Machine weight (with standard platform) ²	1,398 kg
• Max. ground bearing pressure (on outriggers)	1.74 kg/cm ²
• Max. drive speed (single speed m/c) Petrol	1.3 km/h
• Gradeability	28.7%
• Maximum operating slope	10°
• Max. Approach / Depart angles	Front 20° / Rear 20°
• Width of Undercarriage (Retracted/Extended)	0.79 m / 1.09 m
• Basket rotation	124° (+/-62°)

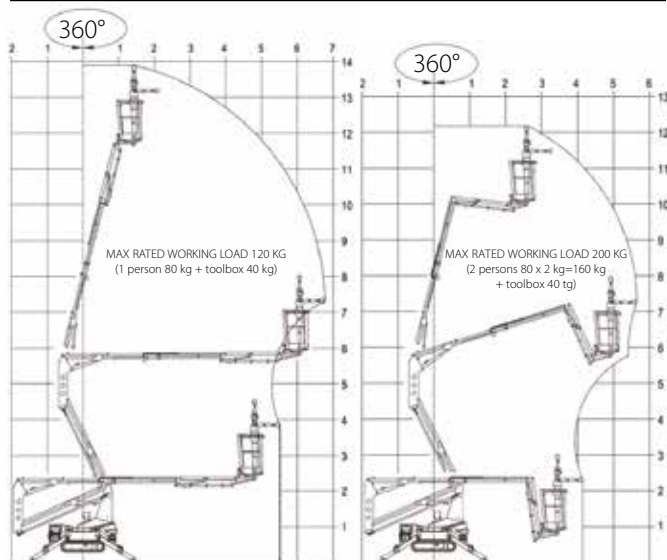
¹ With outrigger pads removed. Pads increase width by 100 mm and height by 30 mm in stowed position.

² Dry weight. Certain options or country standards may increase weight and/or dimensions.

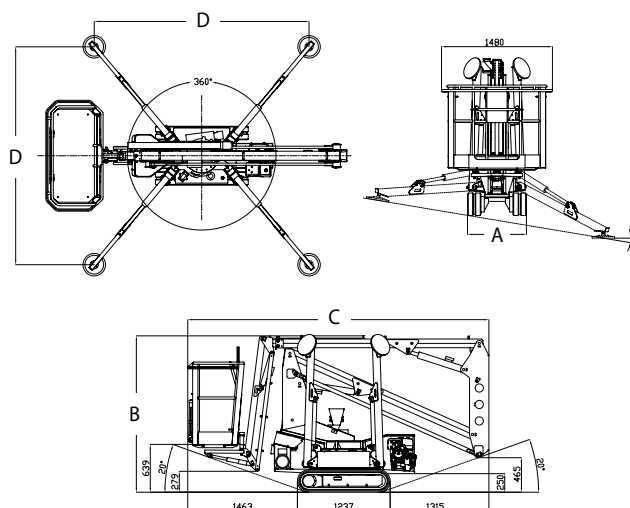
*Standard platform, unrestricted platform capacity



Reach Diagram



Dimensions



IMPORTANT

JLG is continually researching and developing products and reserves the right to make modifications without prior notice. All data in this document is indicative. Certain options or country standards will increase weight. Specifications may change to meet country standards or with the addition of optional equipment.

Due to continuous product improvements, JLG Industries reserves the right to make specification and/or equipment changes without prior notification.



JLG EMEA BV

Polaris Avenue 63
2132 JH Hoofddorp
The Netherlands
Tel: +31 (0)23 565 5665
Fax: +31 (0)23 557 3750
www.jlg.com

An Oshkosh Corporation Company